

Siena CCT

LED Floodlights



Data Sheet

Product Information

The Siena CCT floodlights are available in four wattages 10W, 20W, 30W or 50W. Each of which are triple CCT switchable giving the end user the option of 3000K, 4000K or 6000K all in one fitting.

They come complete with a 3 year warranty.

Product Features

- 3 year warranty
- High efficiency
- 3000K/4000K/6000K CCT LED
- Non-Dimmable
- IP65 – with or without PIR
- Instant on
- Range of sizes and wattages
- Integral driver



PIR Version

Product Specification

Product Code	Product Description	Wattage (W)	CCT (K)	Lumens (lm)	CCT (K)	Lumens (lm)	CCT (K)	Lumens (lm)
KSR5280	10W CCT Floodlight	10	3000	735	4000	875	6000	815
KSR5281	10W CCT Floodlight with PIR	10	3000	735	4000	875	6000	815
KSR5282	20W CCT Floodlight	20	3000	1580	4000	1805	6000	1655
KSR5283	20W CCT Floodlight with PIR	20	3000	1580	4000	1805	6000	1655
KSR5284	30W CCT Floodlight	30	3000	2330	4000	2795	6000	2590
KSR5285	30W CCT Floodlight with PIR	30	3000	2330	4000	2795	6000	2590
KSR5286	50W CCT Floodlight	50	3000	3885	4000	4770	6000	4120
KSR5287	50W CCT Floodlight with PIR	50	3000	3885	4000	4770	6000	4120

Nominal voltage	220-240V
Operating frequency	50-60Hz
Ambient temperature range	-20°C~+40°C
Start time	< 0.5 sec
Protection Class	I
CRI	Ra>80
IP rating	IP65

Construction

Body: Cast Aluminium
Diffuser: Glass

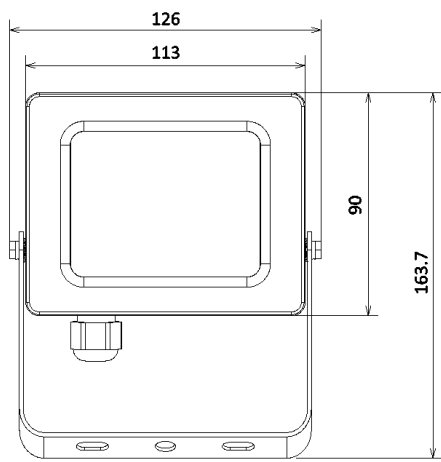
Standards

EN60598-2-5:2015 Luminaires – Part 2-5: Floodlights

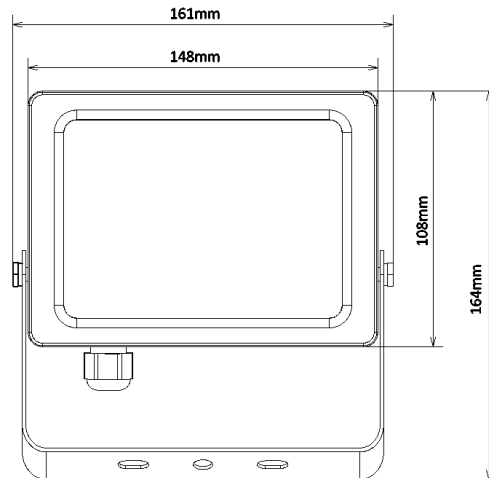
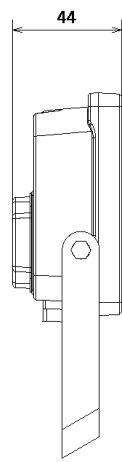
In Conformity with

LVD Low voltage directive 2014/35/EU
EMC Electromagnetic compatibility directive 2014/30/EU
ERP Energy related products directive 2009/125/EC
RoHS Restriction of hazardous substances 2011/65/EU

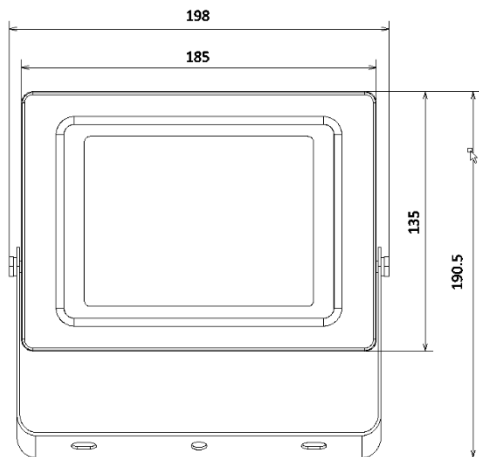
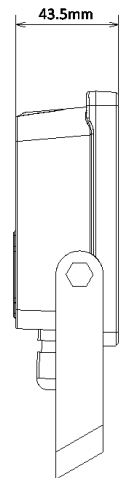
Product Dimensions – Standard Version



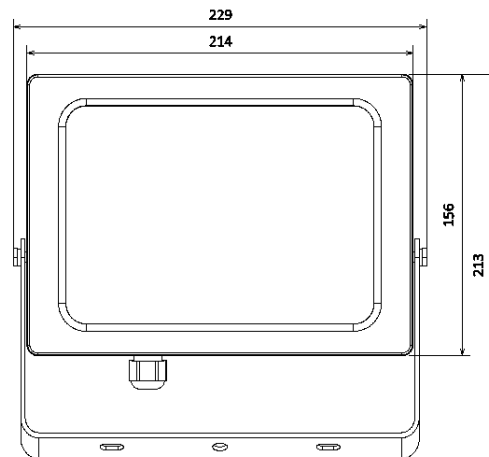
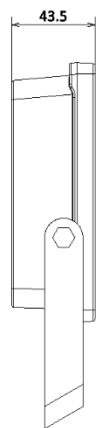
KSR5280



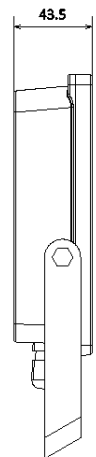
KSR5282



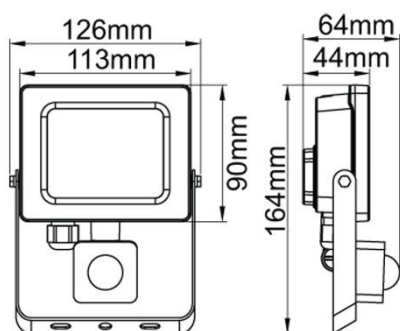
KSR5284



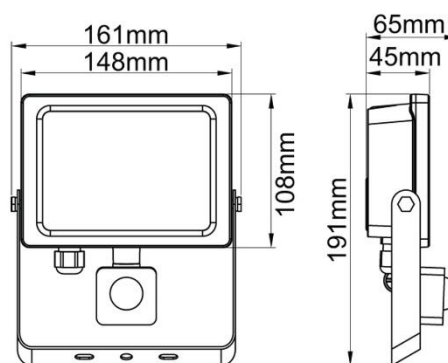
KSR5286



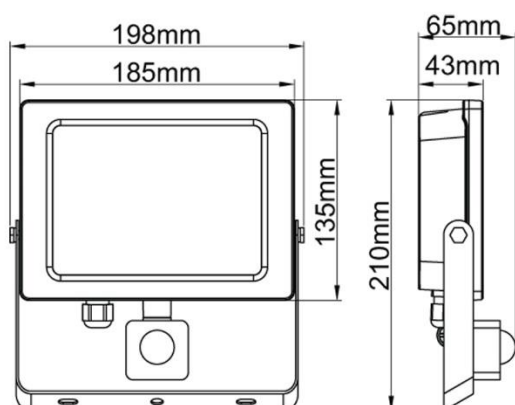
Product Dimensions – PIR Version



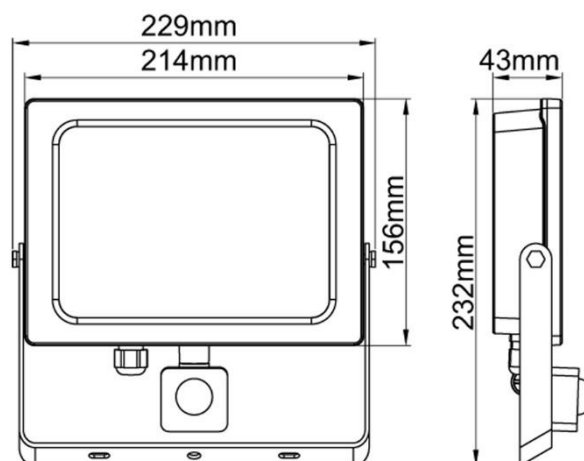
KSR5281



KSR5283



KSR5285



KSR5287

KSR Lighting is constantly developing and improving its products. For this reason, all product descriptions in this data sheet are intended as a general guide, and KSR may change specifications from time to time in the interest of product development, without prior notification or public announcement. All descriptions in this data sheet present only general particulars of the goods to which they refer and shall not form part of any contract. Data in this guide has been obtained in controlled experimental conditions. However, KSR Lighting cannot accept any liability arising from the reliance on such data to the extent permitted.