

Morini LED Light Bar



Product Information

The Morini LED undershelf cabinet light bars are ideal for lighting under shelves and under kitchen cabinets to illuminate shelves and working surfaces. Complete with driver and touch switch at the start of the run using the KSRCL200. But by adding connectors and up to 4 KSRCL201 bars you can create a 1.57m of light bar running off one driver.

Comes with a 2 year warranty for your peace of mind.

Product Features

- 2 year warranty
- IP20
- Instant on
- Touch switch on KSRCL200
- Extend the KSRCL200 by adding up to 4 additional KSRCL201 light bars joining with the optional straight or 90° connectors
- Remote driver supplied with the KSRCL200 complete with 2m of cable from the driver to the light bar
- Non-Dimmable



Product Specification

Product Code	Product Description	Wattage (W)	CCT (K)	Lumens (lm)	Beam Angle	Energy Efficiency Class	Protection Class
KSRL200	Morini Slim 3W LED Undershef Light Bar complete with Driver	3	4000	225	90°	A+	II
KSRL201	Morini Slim 3W LED Undershef Light Bar	3	4000	225	90°	A+	III
KSRL202	Morini Slim Straight Connector	N/A	N/A	N/A	N/A	N/A	III
KSRL203	Morini Slim Corner Connector	N/A	N/A	N/A	N/A	N/A	III

Nominal voltage	100~240VAC
Operating frequency	50-60Hz
Secondary Voltage	12VDC
Secondary Wattage	24W Max.
Circuit Current	0.02A
tc	80°c
Ambient temperature range	-20°c~+40°c
Start time	< 0.5 sec
IP rating	20

Construction

Body: Steel
Diffuser: Polycarbonate

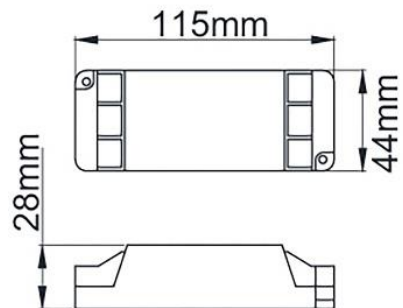
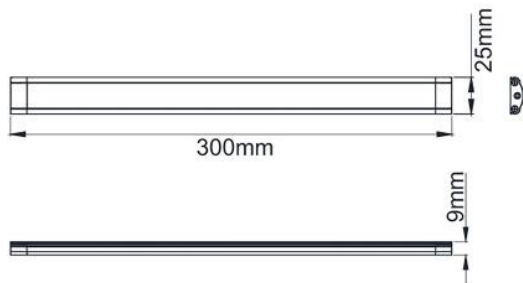
Standards

BSEN60598-1:2015 Luminaires – Part 1: General requirements and tests

In Conformity with

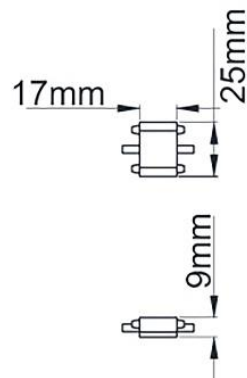
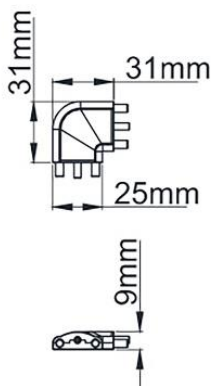
LVD Low voltage directive 2014/35/EU
EMC Electromagnetic compatibility directive 2014/30/EU
ERP Energy related products directive 2009/125/EC
RoHS Restriction of hazardous substances 2011/65/EU

Product Dimensions



KSRCL200-KSRCL201

KSRCL200 Driver



KSRCL202

KSRCL202

KSR Lighting is constantly developing and improving its products. For this reason, all product descriptions in this data sheet are intended as a general guide, and KSR may change specifications from time to time in the interest of product development, without prior notification or public announcement. All descriptions in this data sheet present only general particulars of the goods to which they refer and shall not form part of any contract. Data in this guide has been obtained in controlled experimental conditions. However, KSR Lighting cannot accept any liability arising from the reliance on such data to the extent permitted.