



# 220-240V LED Undershelf lights

*Cabinet/Display Lighting*



Data Sheet

## Product Information

Our mains voltage LED Undershelf lights are ideal for applications where accent lighting is required.

This range is well suited to residential and domestic applications.

## Product Features

- 2 year warranty
- Class II
- IP20
- Available in 3000K and 4000K
- Available in 2 styles
- Mains supply – No drivers required
- Available in White and Satin Chrome
- Non-dimmable

KSRL170 – Can Be recessed



KSRL171



# Product Specification

Product Code	Product Description	Wattage (W)	CCT (K)	CRI (Ra)	Lumens (lm)	Protection Class
KSRC170	1.5w 3000K LED Surface/Recessed Cabinet Light	1.5w	3000	84	110	II
KSRC171	1.5w 4000K LED Surface/Recessed Cabinet Light	1.5w	4000	84	130	II
KSRC172	1.5w 3000K LED Triangle Cabinet Light	1.5w	3000	84	110	II
KSRC173	1.5w 4000K LED Triangle Cabinet Light	1.5w	4000	84	110	II

Technical Data	Undercabinet Round Light	Undercabinet Triangle Light
Nominal voltage	220~240VAC	220~240VAC
Operating frequency	50Hz	50Hz
Circuit Wattage	1.5w	1.5w
Circuit Current	0.006 A	0.006 A
Driver Current Rating	N/A	N/A
PFC	0.94	0.94
In Rush Current	TBC	TBC
Ambient temperature range	-10°C to +30°C	-10°C to +30°C
IP rating	20	20

## Construction

Body: Polycarbonate  
Diffuser: Clear Polycarbonate

## Standards

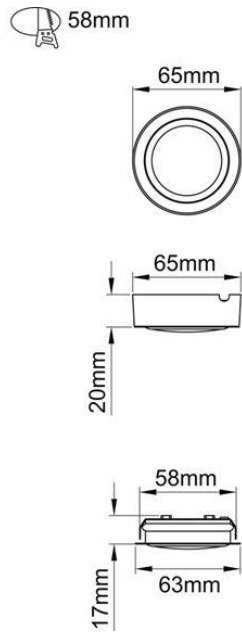
BSEN60598-1:2015      Luminaires – Part 1: General requirements and tests

## In Conformity with

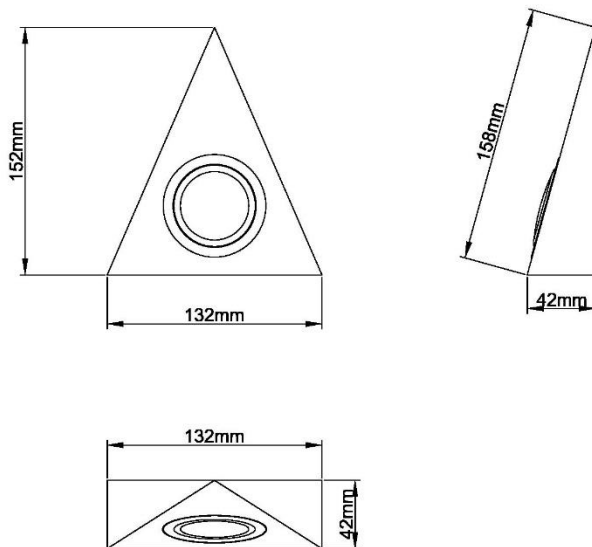
LVD      Low voltage directive 2014/35/EU  
EMC      Electromagnetic compatibility directive 2014/30/EU  
ERP      Energy related products directive 2009/125/EC  
RoHS      Restriction of hazardous substances 2011/65/EU

# Product Dimensions

KSRL170/1



KSRL172/3



KSR Lighting is constantly developing and improving its products. For this reason, all product descriptions in this data sheet are intended as a general guide, and KSR may change specifications from time to time in the interest of product development, without prior notification or public announcement. All descriptions in this data sheet present only general particulars of the goods to which they refer and shall not form part of any contract. Data in this guide has been obtained in controlled experimental conditions. However, KSR Lighting cannot accept any liability arising from the reliance on such data to the extent permitted.